



PREUSSAG
AG

200 000kg



K-Series Radio Remote Controls

The K-Series Radio Remote Controls are suitable for most standard overhead travelling crane applications. Phase Lock Loop (PLL) system creates distinct narrow band operating frequencies, set by software. Units are C-Tick approved by the Australian Communications and Media Authority with 70 non-licensed operating channels available on the 433-434MHz band. Units are also fully compliant with the requirements of AS1418.1-2002.

K-Series Specifications

Operating Range:	Minimum 100m
Frequency Range:	433.05 – 434.775MHz 70 channels with 25kHz channel spacing
Emission Power:	Less than 10mW (adjustable, 8 levels)
ID Code:	Over 1 million sets
Hamming Distance:	≥ 4
Enclosures:	Glass fibre reinforced nylon, IP65

Extensive Safety Features

- Emergency Stop (EMS) is independently certified EN-ISO 13849-1 Category 4 Safety of Machinery: Safety-related parts of control systems
- Transmitter EMS mushroom features 2 × N/C switches
- Receiver features dual independent CPUs (microcontrollers) which monitor each other and will execute emergency stop if one CPU fails
- Receiver features dual series-connected main relays, each controlled separately by 2 × different CPUs and will execute emergency stop, if one main relay fails
- Current sensing “jammed relay” detection on function relays

Transmitter Features

- 2-speed buttons with distinctive position detents
- Large mushroom E-Stop button (twist to reset)
- Integrated internal antenna
- Removable waterproof key
- 3 stage low power indicator (visual and audible)
- 4 × standard alkaline or rechargeable AA batteries

Receiver Features

- Integrated horn / alarm built into receiver
- Visible external power indicator
- F-Type antenna for easy antenna extension
- Pre-wired with 2m loom multi-core cable
- Vibration dampening rubber bushing mounts
- 48 / 240 / 415V AC or 24V DC power supply

Other Features of K-Series

Dual Frequencies:	At start-up the radio control automatically selects frequency less likely to suffer interference
Adjustable Emission Power:	Transmitter power can be adjusted (ie, lowered) as required for different applications and industry types (8 settings possible)
Remote Pairing:	New transmitters (without data file) can be paired to an existing receiver without accessing the receiver installed on the crane
“Power On” Switch / Key:	Non-contacting reed switch is also a removable key to disable transmitter
Temperature Stabilization:	Temperature Control Crystal Oscillator (TXCO) prevents frequency deviation due to temperature changes
Changing Functions:	Pushbutton functions and system settings are changed via PC software
Programmable Functions:	Numerous possible non-standard functions include inching, acceleration delay, interlock delay, magnet control, etc.

EMS Stop
EN-ISO 13849-1 Cat. 4



K-Series Radio Remote Controls

K2 Series



8-Button, 2-Speed with E-Stop

Kit Part Numbers:

- SAGA1-K2

AC Supply: 48 / 240 / 415V AC

- SAGA1-K2-24V DC

DC Supply: 24V DC



Kit consists of:

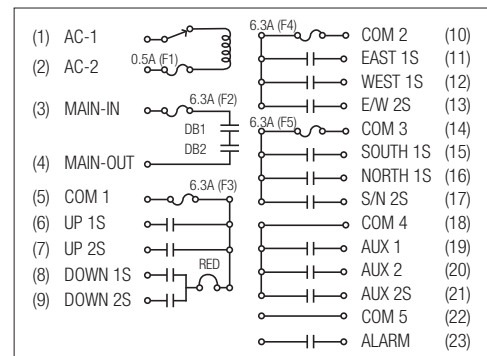
- 2 × Transmitters + 1 × Receiver

- 2 × Protective Pouches

- 8 × AA Alkaline Batteries

- Installation Manual

K2 Receiver Wiring Diagram



	Transmitter	Receiver
Part No.	SAGA1-K2TX	SAGA1-K2RX
Dimensions	167 × 48 × 55mm	167 × 154 × 88mm
Weight	210g	2100g
Power	4 × AA Batteries	AC or DC supply

K4 Series



12-Button, 2-Channel, 2-Speed with E-Stop

Kit Part Number:

- SAGA1-K4

AC Supply: 48 / 240 / 415V AC



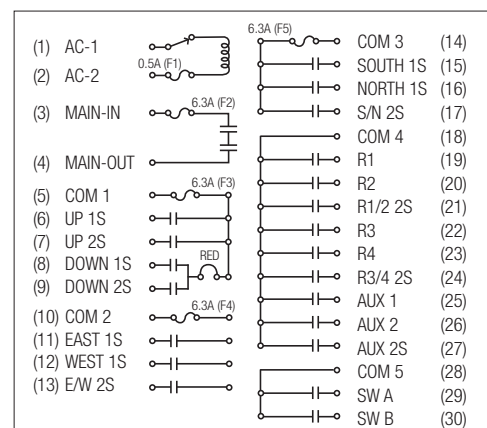
Kit consists of:

- 2 × Transmitters + 1 × Receiver

- 8 × AA Alkaline Batteries

- Installation Manual

K4 Receiver Wiring Diagram



	Transmitter	Receiver
Part No.	SAGA1-K4TX	SAGA1-K4RX
Dimensions	274 × 77 × 42mm	310 × 160 × 95mm
Weight	385g	2900g
Power	4 × AA Batteries	AC supply

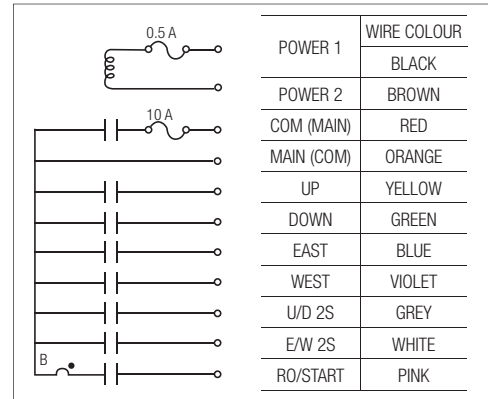
Protean HT Radio Remote Controls

The Protean-HT Radio Remote Control is ideal for controlling monorail hoists. Quartz crystals create distinct stable operating frequency. Unit is C-Tick approved by the Australian Communications and Media Authority with 7 non-licensed operating channels on the 433-434MHz band.

Protean HT



Protean HT Wiring Diagram



4-Button, 2-Speed with E-Stop

Kit Part Numbers :

- 700PRO6DHT

AC Supply: 24 / 48V or 240 / 415V

- 700PRO6DHT-24VDC

DC Supply: 12 ~ 24V DC

Kit consists of:

- 2 x Transmitters + 1 x Receiver

- 2 x Protective Pouches

- 4 x AA Alkaline Batteries

- Installation Manual

	Transmitter	Receiver
Part No.	701PRO6B-TX	701PRO6B-RX
Dimensions	167 x 48 x 55mm	161 x 74 x 52mm
Weight	210g	2100g
Power	2 x AA Batteries	AC or DC supply

Optional Accessories



Passive Antenna



Protective Covers

